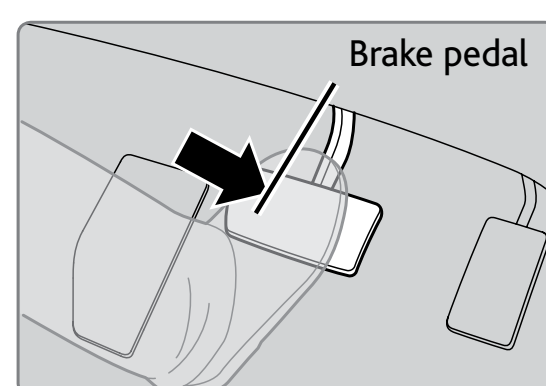


Braking

Slow down or stop your vehicle, and keep it from moving when parked.

■ Foot Brake

Press the brake pedal to slow down or stop your vehicle from moving.



■ Brake Assist System

During hard or emergency braking, the system increases braking force. The brake pedal may move slightly or make a noise; this is normal. Continue to hold the brake pedal firmly down.

■ Anti-Lock Brake System (ABS)

During hard or emergency braking, the system rapidly pumps the brakes to prevent wheel lockup and help you maintain steering control. The brake pedal may pulsate slightly during ABS operation; this is normal. Do not pump the brake pedal, and continue to hold it firmly down.

NOTICE

The ABS may not function correctly if you use an incorrect tire type and size.

■ Electric Parking Brake

Keep your vehicle from moving while parked using a simple switch.

To apply: Pull up the switch. The PARK indicator appears in the instrument panel.



To release: Press the brake pedal and make sure your seat belt is fastened. Press the switch down to release.

You can also lightly press the accelerator pedal if your seat belt is fastened and the vehicle is on and in Drive (D) or Reverse (R).

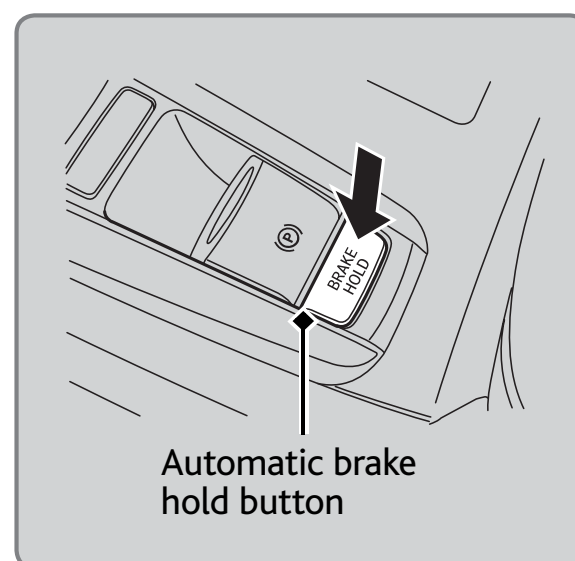


■ Automatic Brake Hold

Maintains rear brake hold even after the brake pedal is released. Make sure the vehicle is on and your seat belt is fastened when operating this feature.

1. Press BRAKE HOLD. The BRAKE HOLD indicator appears in the instrument panel.
2. With Drive (D) selected, press the brake pedal and come to a complete stop. The HOLD indicator appears, and brake hold is applied. Release the brake pedal.

Press the accelerator pedal to cancel brake hold and start moving.



To turn off brake hold: Press the brake pedal and press BRAKE HOLD again.

Automatic brake hold cancels when:

- Braking is applied for more than 10 minutes.
- The driver's seat belt is unfastened.
- The engine is turned off.

⚠ WARNING

Using the automatic brake hold system on steep hills or slippery roads may still allow the vehicle to move if you remove your foot from the brake pedal.

If a vehicle unexpectedly moves, it may cause a crash resulting in serious injury or death.

Never use the automatic brake hold system or rely on it to keep a vehicle from moving when stopped on a steep hill or slippery roads.

⚠ WARNING

Using the automatic brake hold system to park the vehicle may result in the vehicle unexpectedly moving.

If a vehicle moves unexpectedly, it may cause a crash, resulting in serious injury or death.

Never leave the vehicle when braking is temporarily kept by automatic brake hold and always park the vehicle by putting the transmission in Park (P) and applying the parking brake.